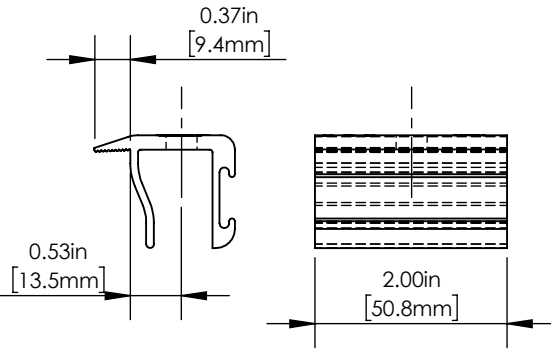
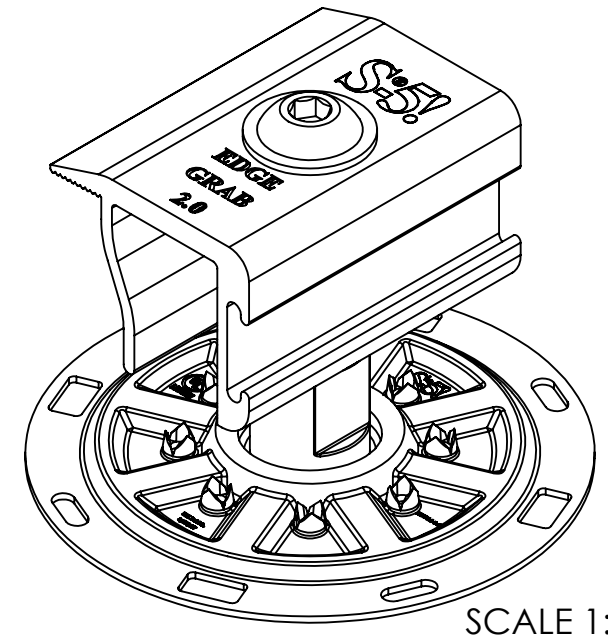
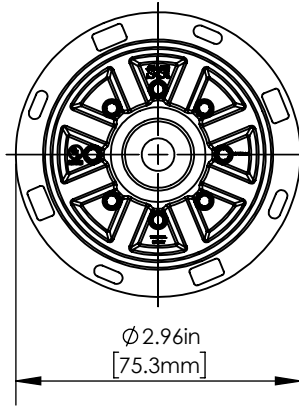


PV 2.0 EdgeGrab  
6000 SERIES ALUMINUM

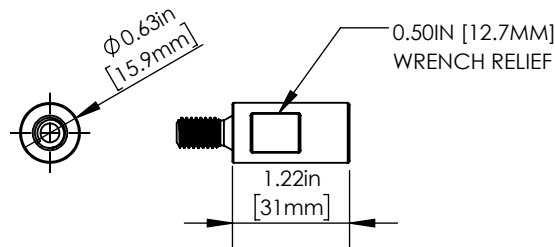


PV Disk 2.0  
300 SERIES STAINLESS

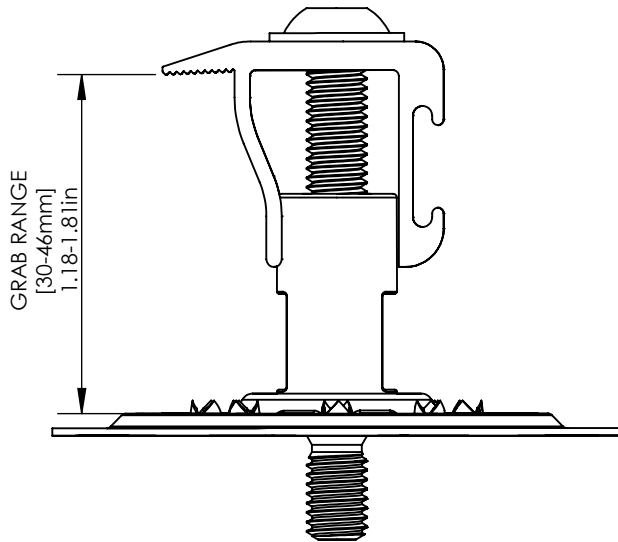
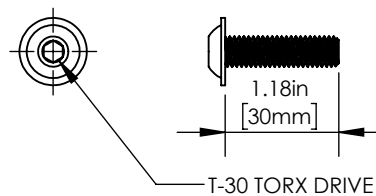


EdgeGrab Assembly (1:1 SCALE)

Standoff  
300 SERIES STAINLESS  
M8-1.25 THREAD



M8-1.25x26mm SS Flanged Button Head Screw  
300 SERIES STAINLESS  
M8-1.25 THREAD



PVKIT 2.0 EDGEGRAB WEIGHT: 0.26 lbs [118 g]

**FOR STANDING SEAM SPECIFIC MECHANICAL LOAD TEST INFORMATION AND CLAMP INSTALLATION INFORMATION PLEASE VISIT: [WWW.S-5.COM](http://WWW.S-5.COM)**



METAL ROOF INNOVATIONS, LTD.  
8655 TABLE BUTTE RD  
COLORADO SPRINGS, CO 80908  
719-495-0518  
719-495-0045(FAX)

TITLE PVKIT 2.0 EdgeGrab		
DRAWING NO. PV2EO-A-0-B_PV2STO-A-303SS	DRAWN BY JW	DATE 8/3/2020

S-5!® PRODUCTS ARE PROTECTED BY MULTIPLE U.S. PATENTS INCLUDING 5,228,248, 5,983,588 AND 6,164,033 (OTHERS ISSUED AND PENDING). EUROPEAN PATENTS ARE ALSO APPLIED FOR AND PENDING UNDER THE PATENT COOPERATION TREATY WITH DIVISIONAL FILING RIGHTS RETAINED. METAL ROOF INNOVATIONS, LTD. (LICENSOR OF S-5!® TECHNOLOGY) AGGRESSIVELY PROSECUTES PATENT INFRINGEMENT.

SCALE 1:2